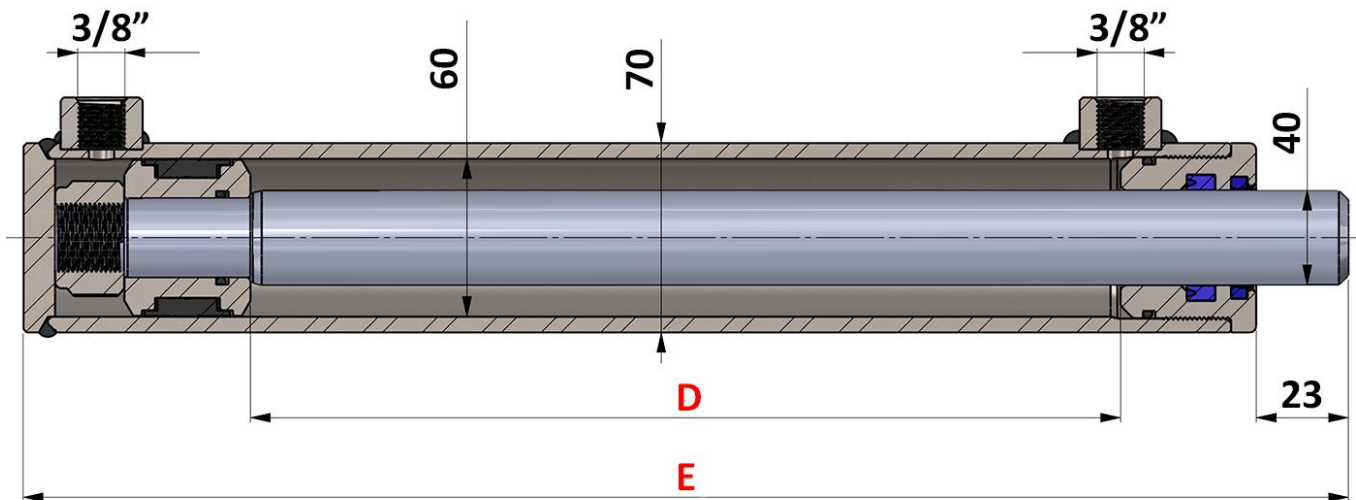


TEHNIČNI LIST – DIMENZIJE HIDRAVLIČNI CILINDRI STANDARD 60/40-xxx



	STANDARD	E	D (hod)
Šifra	60/40-xxx	[mm]	
10591	60/40-100	260	100
10592	60/40-150	310	150
10299	60/40-200	360	200
10593	60/40-250	410	250
10300	60/40-300	460	300
10594	60/40-350	510	350
10301	60/40-400	560	400
10595	60/40-450	610	450
10302	60/40-500	660	500
14146	60/40-550	710	550
10303	60/40-600	760	600
10596	60/40-700	860	700
10597	60/40-800	960	800
10598	60/40-900	1060	900
10599	60/40-1000	1160	1000